

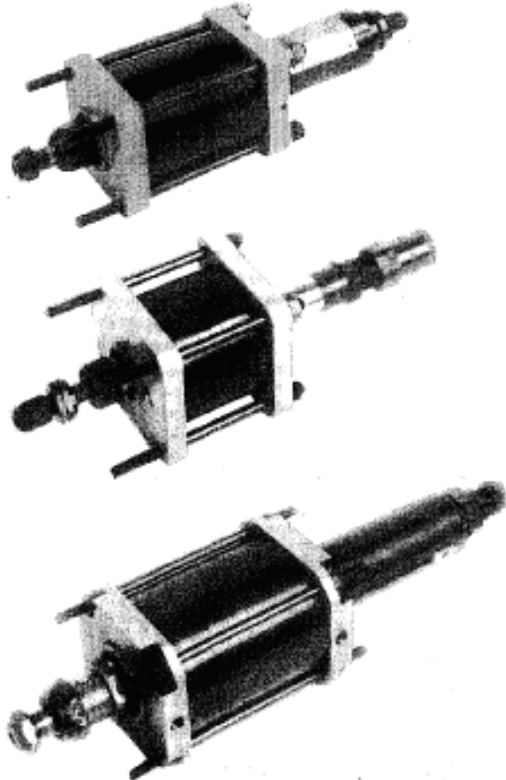


Pneumatic Impact Units

1/2 ton to 6-1/2 ton

Models MV-12VP, MV-23VP, and MV-35VP

For Marking, Inserting, Riveting, Forming, etc....



**Designed for utilization
in indexing tables,
transfer systems, or
assembly machines.**

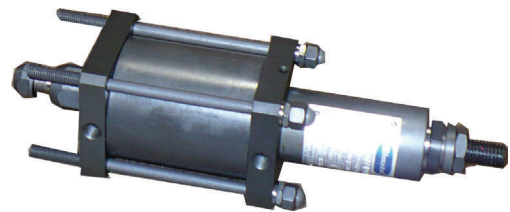
Features & Benefits

- High Impact Force
- Adjustable Impact Force remains constant
- Impact force is not altered by length of stroke, but by adjustment of spring compression.
- Capable of high production
- Units operate in any position
- Clean, simple design, with few operating parts
- Adaptable to numerous impact jobs, using available tool inserts and marking heads
- Low Maintenance

Impact Unit Operation

Each Impact Unit contains a powerful spring which is compressed until a release point is reached; then the compressed energy is released to the hammer which delivers the blow to the tool. Two actions are involved: compression and impact.

Compression is accomplished pneumatically. The degree of impact is adjustable by increasing or decreasing compression of the impact spring, or by changing to another of the various available compression springs.



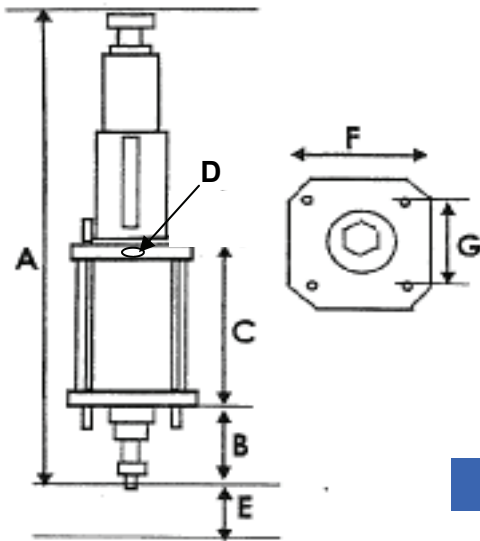
E.L. SIMETH CO., INC.
SINCE 1945

North American Representative

Call for Demonstrations: 800-837-9270

Specifications	MV-12VP	MV-23VP	MV-35VP
Operation	Pneumatic	Pneumatic	Pneumatic
Maximum Impact Force	1/2 Ton	2-1/2 Ton	6-1/2 Ton
Mounting Holes	8mm	10mm	12mm
Std. max approach travel	30mm	40mm	95mm
Diameter of collet	6mm	10mm	16mm
Depth of tool holder	20mm	30mm	45mm
Air pressure required	3-6 bar	3-6 bar	4-6 bar
Max strokes per minute	75	50	40
Weight of unit	8 Lbs	18 Lbs	49 Lbs

Dimensions



- Pneumatic pressure required is relative to spring setting, all units are double acting
- An anvil or other backup, sufficient to absorb the Impact, must be provided
- Mounting is accomplished at either end using the Four tie rods with extended threads
- Degree of impact is adjustable by increasing or Decreasing compression of the spring
- Units are furnished with a variety of springs to Further increase or decrease impact force

Dimension	MV-12VP	MV-23VP	MV-35VP
A	280	380	690
B	50	115	170
C	110	115	205
D	G 1/8	G 1/4	G 1/4
E	30	40	95
F	72 SQ	120 SQ	140 SQ
G	57 SQ	95 SQ	110 SQ

All dimensions in millimeters



E.L. SIMETH CO., INC.
SINCE 1945
North American Representative

www.elsimeth.com